



Heavy Duty Large Cash Drawer

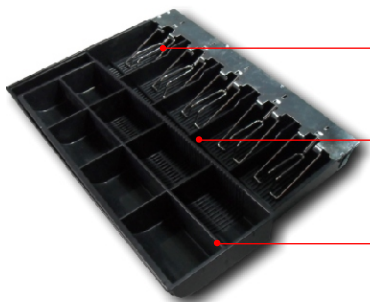
INNOVATION QUALITY SERVICE

SLD 46

Made of heavy gauge steel, suitable for heavy duty use and prolonged operational life, the ideal choice for reliability and perfect platform for any EPoS terminal. Adjustable and removable 4/5-note and 8-coin Cash tray with metal wire grippers, making it worldwide compatible.



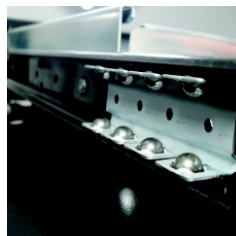
Second Floor Space for storing big notes and medias



Durable Metal Wire Gripper
Bill Holder Tested over one million operations
Easy and comfortable operation. Human Engineering Design

Removable and adjustable cash tray

Easy access interface location



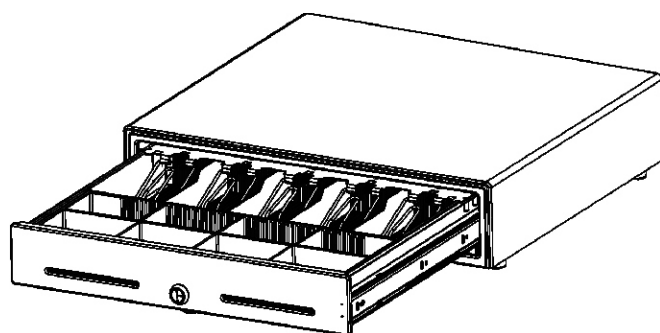
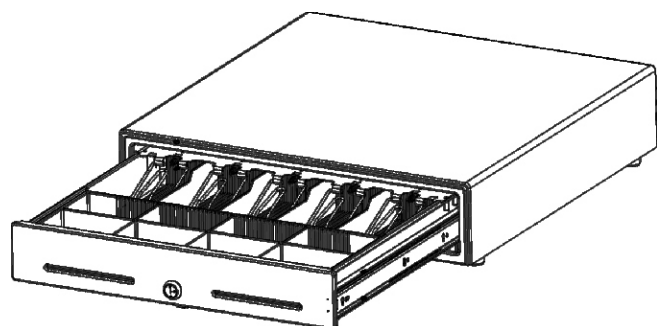
Industrial grade steel ball-bearing slides

Series Specifications

MODEL NUMBER	SLD 46	SLD 48
PHYSICAL		
Dimension	460(W)x460(D)x100(H)mm	480(W)x414(D)x100(H)mm
Construction	Thick gauge cold rolled steel & SECC	
Finish	Textured hybrid powder coat	
Color	Black, Beige and Custom type	
Slide	Ball bearing slide for smooth & stable operation	
CASH TRAY (INSERT)		
Construction	Shatter-resistant plastic	
Currency Layout	4/5-Bill with Metal Metal wire grips, 8 Adjustable Coin Slots	
Media Slots	2	
OPERATION		
Drawer Lock	3-Position lock / 4-Functions: locked open/closed, manual open, electronically driven	
Interface	RJ11, RJ12, USB, RS232, DC Φ 2.5 / 3.5 Jack, custom type	
Lifecycle	MTBF 1,000,000 times +	
Micro Switch	Cash Drawer Status Micro Switch	

OPTION	ACCESSORIES
Micro-switch	Cash Tray
Stainless Steel Front	Hanging Brackets
Cash tray with different currency layout	USB Adapter
Different color	Serial Adapter
Different interfaces	

Packing Details			
Models	Net Weight(kg)	Gross Weight(kg)	Carton Size(cm)
SLD 46	10.10	11.10	52.5 × 51.1 × 17.0
SLD 48	10.00	11.00	48.0 × 53.5 × 17.0



Specifications are subjected to change without notice.



+965 555 48 448
 INFO@Q8POS.COM

